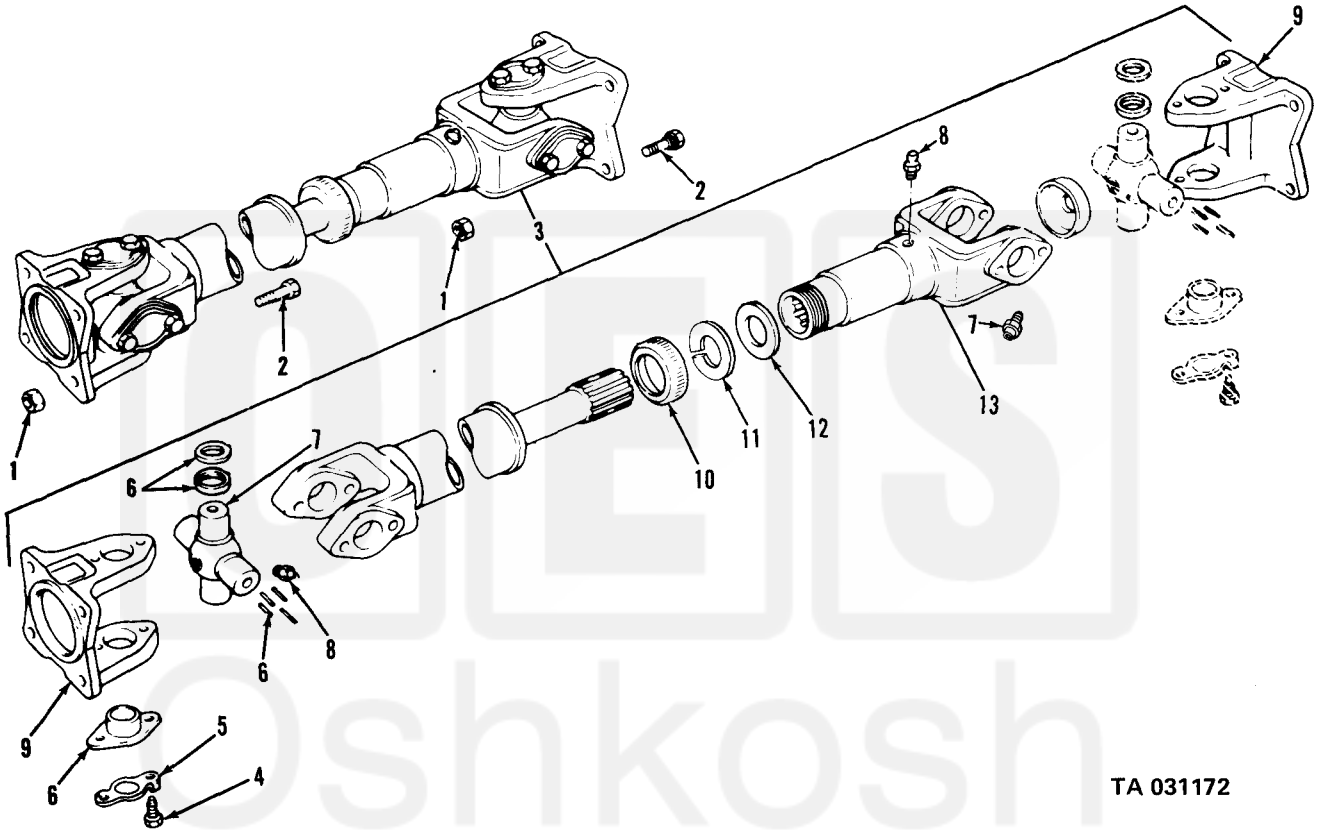


(1)	(2)	(3)	(4)	(5)	(6)	(7)	(8)
ILLUS.							QTY
(a)	(b)	SMR	NATIONAL	PART	DESCRIPTION	U/M	INC
FIG.	ITEM	CODE	STOCK	NUMBER	FSCM		IN
NO.	NO.		NUMBER				UNIT
					0900-PROPELLER SHAFTS (CONT'D)		
76		PAOZZ	2520-00-702-4578	5702987	19207	PARTS KIT, UNIVERSAL JOINT: TRANSFER TO FRONT AXLE TO REAR- REAR AXLE PROPELLER SHAFT	EA 4
76	4					RING	EA 4
76	5					BEARING	EA 4
76	6					JOURNAL	EA 1
77	1	PAOZZ	5310-00-062-4954	MS21045-8	96906	NUT, SELF-LOCKING	EA 8
77	2	PAOZZ	5306-00-752-1001	752001	19207	BOLT, MACHINE	EA 8
77	2	PAOZZ	5306-00-752-1014	7521014	19207	BOLT, RIBBED NECK	EA 8
77	3	PAOOO	2520-00-706-1097	7061097	19207	PROPELLER SHAFT WITH UNIVERSAL JOINT: TRANSFER TO FORWARD REAR AXLE ASSEMBLY (SAME AS PROPELLER SHAFT, NSN 2520-00-752-1000, EXCEPT WHERE INDIVIDUAL COMPONENTS ARE ANNOTATED) M47, M57, M58, M59, M275, M275A1, M275A2) AD	EA 1
77	3	PAOOO	2520-00-752-1013	7521013	19207	PROPELLER SHAFT WITH UNIVERSAL JOINT: TRANSFER TO FORWARD REAR AXLE ASSEMBLY (SAME AS PROPELLER SHAFT, NSN 2520-00-752-1000, EXCEPT WHERE INDIVIDUAL COMPONENTS ARE ANNOTATED)	EA 1
77	3	PAOOO	2520-00-752-1000	7521000	19207	PROPELLER SHAFT WITH UNIVERSAL JOINT: TRANSMISSION TO TRANSFER ASSEMBLY	EA 1
77	4	KFOZZ		5281983	19207	SCREW, LOCK PLATE (PART OF KIT, P/N 8735642)	EA 16
77	5	KFOZZ		5283083	19207	STRAP (PART OF KIT, P/N 8735642)	EA 8
77	6	KFOZZ		8759090	19207	BEARING (PART OF KIT, P/N 8735642)	EA 8
77	7	KFOZZ		7971745	19207	JOURNAL (PART OF KIT, P/N 8735642)	EA 2
77	8	PAOZZ	4730-00-050-4203	MS15001-1	96906	FITTING, LUBRICATION: TRANSMISSION TO TRANSFER UNIVERSAL JOINT JOURNAL (2) AND SLIP YOKE (1)	EA 3
77	9	PAOZZ	2520-00-561-6190	5616190	19207	YOKE, UNIVERSAL JOINT: TRANSMISSION TO TRANSFER	EA 2
77	10	PAOZZ	4730-00-279-2828	5283080	19207	CAP, DUST ,PROPELLER SHAFT: TRANSFER TO FORWARD REAR AXLE U-JOINT SLEEVE YOKE (1) PILLOW BLOCK TO FORWARD REAR AXLE (1)(USED ON PROPELLER SHAFTS, NSN 2520-00-706-1097 AND 2520-00-752-1013, ONLY)	EA 1
77	10	PAOZZ	5310-00-752-0998	7520998	19207	CAP, DUST: TRANSMISSION TO TRANSFER UNIVERSAL JOINT YOKE (USED ON PROPELLER SHAFT, NSN 2520-00-752-1000, ONLY)	EA 1
77	11	PAOZZ	5310-00-276-3012	7994440	19207	WASHER, LOCK: TRANSMISSION TO TRANSFER (USED ON PROPELLER SHAFT NSN 2520-00-752-1000, ONLY)	EA 1

(1)	(2)	(3)	(4)	(5)	(6)	(7)	(8)
ILLUS.							QTY
(a)	(b)	SMR	NATIONAL	PART	DESCRIPTION	U/M	INC
FIG.	ITEM	CODE	STOCK	NUMBER	FSCM		IN
NO.	NO.		NUMBER				UNIT
					0900-PROPELLER SHAFTS (CONT'D)		
77	11	XBOZZ		5283054	19207 WASHER: JOINT YOKE (USED ON PROPELLER SHAFTS, NSN 2520-00-706-1097 AND 2520-00-752-1013, ONLY)	EA	2
77	12	PAOZZ	5330-00-108-9651	10874585	19207 PACKING, PREFORMED: PILLOW BLOCK TO FORWARD REAR AXLE TO TRANSFER TO FORWARD REAR AXLE (USED ON PROPELLER SHAFTS, NSN 2520-00-706-1097 AND 2520-00-752-1013, ONLY)	EA	1
77	12	PAOZZ	5330-00-692-6113	8333401	19207 PACKING, PREFORMED: TRANSMISSION TO TRANSFER YOKE DUST CAP (USED ON PROPELLER SHAFT, NSN 2520-00-752-1000, ONLY)	EA	1
77	13	PAOZZ	2520-00-692-6076	7521106	19207 YOKE, UNIVERSAL JOINT: TRANSFER TO FORWARD REAR AXLE UNIVERSAL JOINT OR PILLOW BLOCK TO FORWARD REAR AXLE ASSEMBLY (USED ON PROPELLER SHAFTS, NSN 2520-00-706-1097 AND 2520-00-752-1013, ONLY)	EA	1
77	13	PAOZZ	2520-00-692-6066	7521011	19207 YOKE UNIVERSAL, JOINT: TRANSMISSION TO TRANSFER (USED ON PROPELLER SHAFT, NSN 2520-00-752-1000, ONLY)	EA	1
77	14	PAOZZ	2520-00-692-6067	7521012	19207 PLUG, SLEEVE, YOKE: TRANSFER TO FORWARD REAR AXLE UNIVERSAL JOINT SLEEVE YOKE OR PILLOW BLOCK TO FORWARD REAR AXLE UNIVERSAL JOINT SLEEVE YOKE (USED ON PROPELLER SHAFTS, NSN 2520-00-706-1097 AND 2520-00-752-1013, ONLY)	EA	1
77	14	PAOZZ	2520-00-752-0999	7520999	19207 PLUG: TRANSMISSION TO TRANSFER UNIVERSAL JOINT, SLEEVE, WITH BREATHER (USED ON PROPELLER SHAFT, NSN 2520-00-752-1000, ONLY)	EA	1
77	15	XBOZZ		10874597	19207 SHAFT, SPLINED: (USED ON PROPELLER SHAFT, NSN 2520-00-706-1097, ONLY)	EA	1
77	15	XBOZZ		10874588	19207 SHAFT, SPLINED: (USED ON PROPELLER SHAFT, NSN 2520-00-752-1013, ONLY)	EA	1
77	15	XBOZZ		7529026	19207 SHAFT, SPLINED: (USED ON PROPELLER SHAFT, NSN 2520-00-752-1000, ONLY)	EA	1
77		PAOZZ	2520-00-521-6186	8735642	19207 PARTS KIT, UNIVERSAL JOINT	EA	6
77	4				SCREW	EA	16
77	5				STRAP	EA	8
77	6				BEARING	EA	4
77	7				JOURNAL	EA	1
78	1	PAOZZ	5306-00-752-1014	7521014	19207 BOLT, RIBBED NECK	EA	4
78	2	PAOZZ	5310-00-994-1006	MS51943-38	96906 NUT	EA	2



TA 031172

Figure 77. Popeller shaft assembly (transmission to transfer to forward rear axle and pillow block to forward rear axle).